

CABLE 400 RF: SMB RIGHT ANGLE PLUG TO 1.32 CABLE TO BNC STRAIGHT BULKHEAD JACK WITH O-RING RATED TO IP67/68

SPECIFICATIONS:

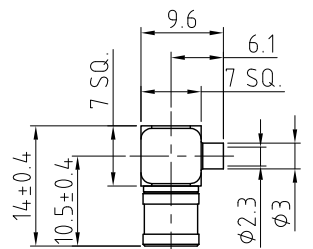
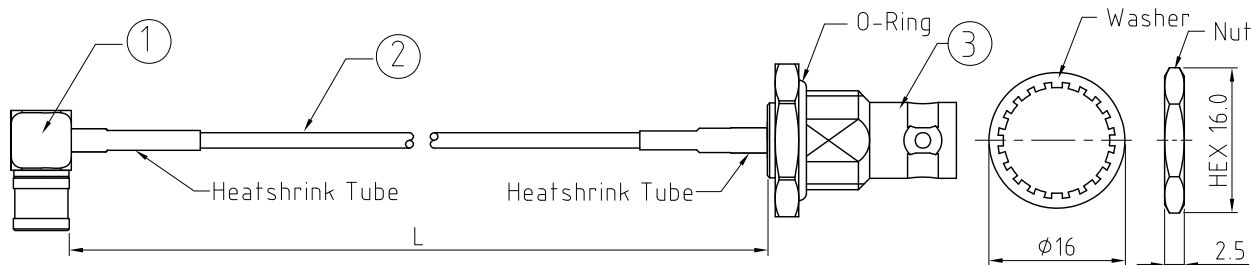
- SMB RIGHT ANGLE PLUG, P/N: RFCT-SMB004-M32
- 1.32MM SINGLE SHIELD COAXIAL CABLE, GRAY
- BNC STRAIGHT BULKHEAD JACK WITH O-RING RATED TO IP67/68, P/N: RFCT-BNC006-F78.

ENVIRONMENTAL:

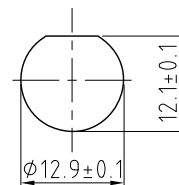
- A. BULKHEAD MOUNTED CONNECTOR TESTED TO THE FOLLOWING SPECIFICATION:
- IP6X - DUST TIGHT - NO PARTICLE INGRESS.
 - IPX7 WATERPROOF FOR 30 MINUTES UP TO 1 METER UNDERWATER.
 - IPX8 WATERPROOF FOR 48 HOURS AT 1 METER UNDERWATER.
 - IPX8 WATERPROOF FOR 12 HOURS AT 5 METERS UNDERWATER.
 - PRESSURE TEST - 1 BAR FOR 10 SECONDS.

NOTES:

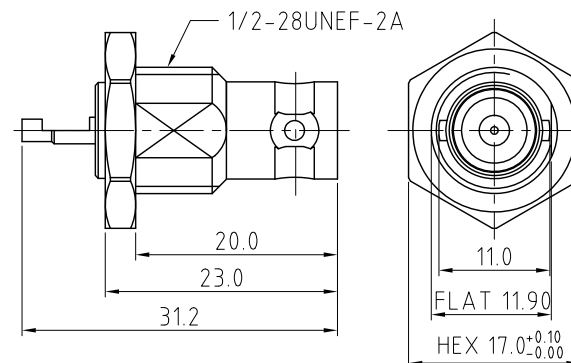
- THE ORIENTATION OF CONNECTORS ON DRAWING IS FOR REFERENCE ONLY, IF THE ORDER IS LEFT BLANK THE CONNECTOR WILL NOT HAVE FIXED ORIENTATION.
- FIXED ORIENTATION IS SUGGESTED FOR CABLE LENGTH 50MM TO 100MM. PLEASE SPECIFY THE FIXED ORIENTATIONS FROM THE ORDER CODE (F1, F2, ETC)
- CONTACT GRAD CONN IF THE ORIENTATION YOU REQUIRE IS NOT SHOWN.
- WORKING FREQUENCY RANGE: DC-3GHz.
- OPERATING TEMPERATURE: -40°C TO +125°C.
- IMPEDANCE: 50 OHM.



SMB DETAIL DRAWING



RECOMMENDED BNC MOUNTING HOLE



BNC DETAIL DRAWING

HOW TO ORDER

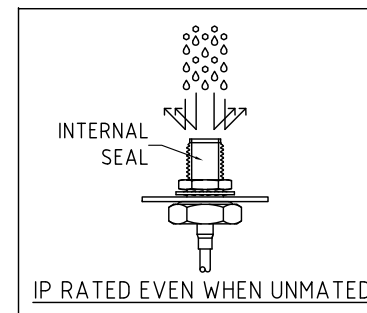
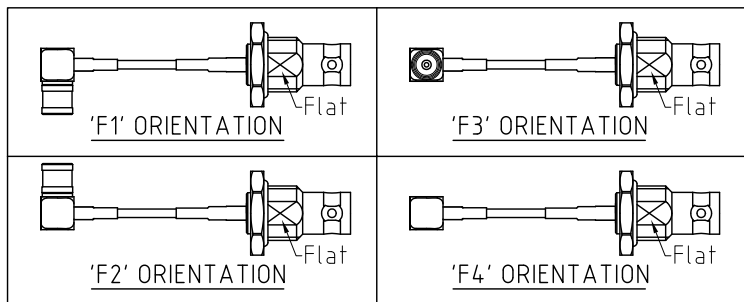
CABLE 400 RF - X X X X - X X - X - 1

"L" LENGTH IN MM
 eg: 100MM = 0100
 (MIN. = 0050, MAX. = 2000, STANDARD = 0100, 0150, 0200)
 Tolerance: 50-200mm: ±5mm.
 201-400mm: ±7mm.
 >500mm: ±10mm.

CABLE SIZE OPTIONS:
 1 = Ø1.32MM SINGLE SHIELD CABLE, COLOR: GRAY

O-RING, WASHER AND NUT OPTIONS:
 BLANK = SEPARATELY PACKED (STANDARD)
 A = ASSEMBLED WITH CONNECTOR

ORIENTATION OPTIONS:
 BLANK = DOES NOT HAVE A FIXED ORIENTATION
 F1 = SMB CONNECTION DOWN (L=50-200MM)
 F2 = SMB CONNECTION UP (L=50-200MM)
 F3 = SMB CONNECTION SAME AS BNC D-FLAT (L=50-200MM)
 F4 = SMB CONNECTION OPPOSITE TO BNC D-FLAT (L=50-200MM)
 (SEE NOTES 1, 2, 3 AND DIAGRAMS FOR MORE INFORMATION)



REV. DATE & DRN
 TO: 06/05/20 - CC RELEASE
 11 28/02/20 - NYW
 12 21/03/20 - CC
 13 20/07/24 - CC
 ADD IP RATING VIEW

Scale: NTS	THIRD ANGLE	Unstated .X .XX .XXX ANGLES	Tolerances: N/A N/A N/A N/A
Drawn: CC			
App'd: XXX	Title CABLE ASSEMBLY		
Date: 31 MAR. '24	Revision: 1.2	Unit: mm	



IP Rated RF Products



www.gradconn.com

Type: Cable 400 RF
CABLE 400 RF
Drawing Number:
Sheet 1 of 1
Drawing © E and O E